

# Preliminary

Mitsubishi Semiconductors < GaN HEMT >

## MGF0840G

10 W GaN HEMT [ non-matched ]

### DESCRIPTION

The MGF0840G, GaN HEMT with an N-channel schottky Gate, is designed for MMDS/UMTS/WiMAX applications.

### FEATURES

- High voltage operation :  $V_{DS} = 47\text{ V}$
- High output power :  $P_o = 40.0\text{ dBm (typ.) @ P3dB}$
- High efficiency :  $\eta_d = 60\% \text{ (typ.) @ P3dB}$
- Designed for use in Class AB linear amplifiers

### APPLICATIONS

- MMDS/UMTS/WiMAX

### QUALITY

- GG

### RECOMMENDED BIAS CONDITIONS

- $V_{ds} = 47\text{ V}$  •  $I_{ds} = 90\text{ mA}$  •  $R_g = 120\ \Omega$

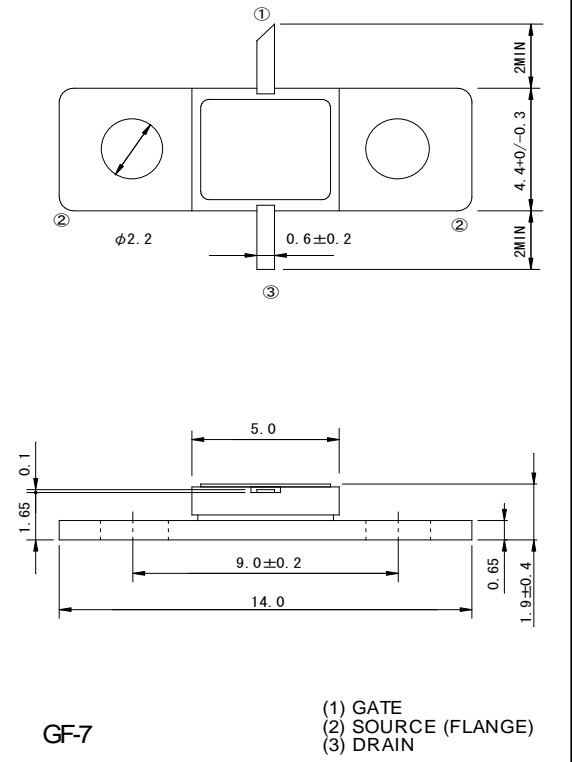
**Packaging** 4 inch Tray ( 25 pcs)

### Absolute maximum ratings ( $T_a = 25^\circ\text{ C}$ )

Symbol	Parameter	Ratings	Unit
VDS	Drain to Source Voltage	120	V
VGS	Gate to Source Voltage	- 10	V
PT	Total power dissipation	21	W
IGR	Reverse gate current	- 1.5	mA
IGF	Forward gate current	+ 30	mA
Tch	Channel temperature	230	°C
Tstg	Storage temperature	- 65 to +175	°C

### OUTLINE DRAWING

Unit : millimeters



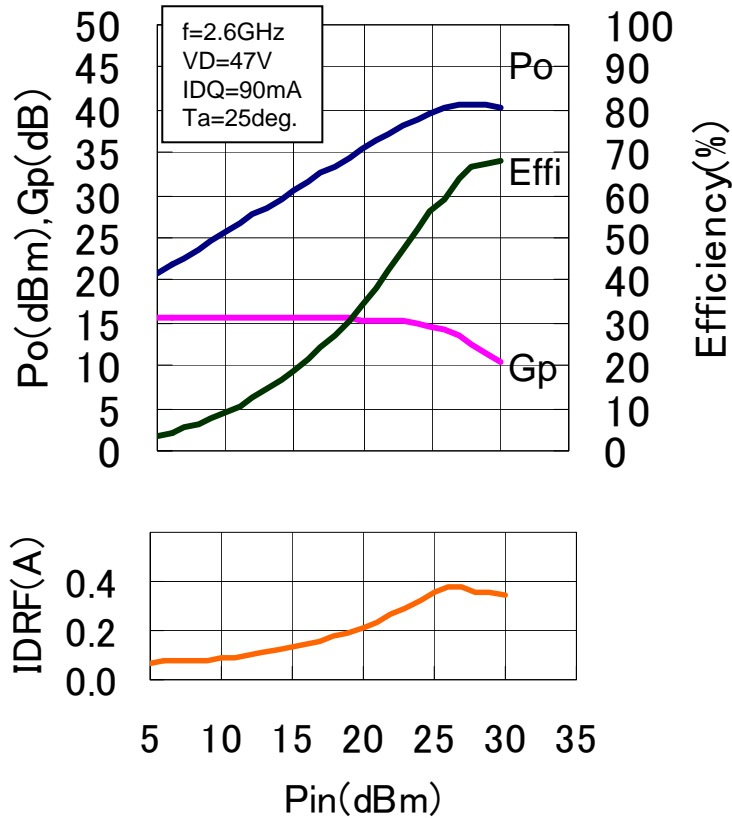
### Electrical characteristics ( $T_a = 25^\circ\text{ C}$ )

Symbol	Parameter	Test conditions	Limits			Unit
			Min.	Typ.	Max.	
VGS(off)	Gate to source cut-off voltage	$V_{DS} = 47\text{ V}, I_{DS} = 3\text{ mA}$	-1.0	-	-5.0	V
P3dB	3dB gain compression power	$V_{DS} = 47\text{ V}, I_{DQ} = 90\text{ mA},$ $f = 2.6\text{ GHz}$	39.0	40.0	-	dBm
$\eta_d$	Drain efficiency		-	60	-	%
GLP *1	Linear power gain	*1 : $P_{in} = 20\text{ dBm}$	13.0	14.0	-	dB
Rth(ch-c)	Thermal resistance *2	$\Delta V_f$ Method	-	6.8	9.7	°C/W

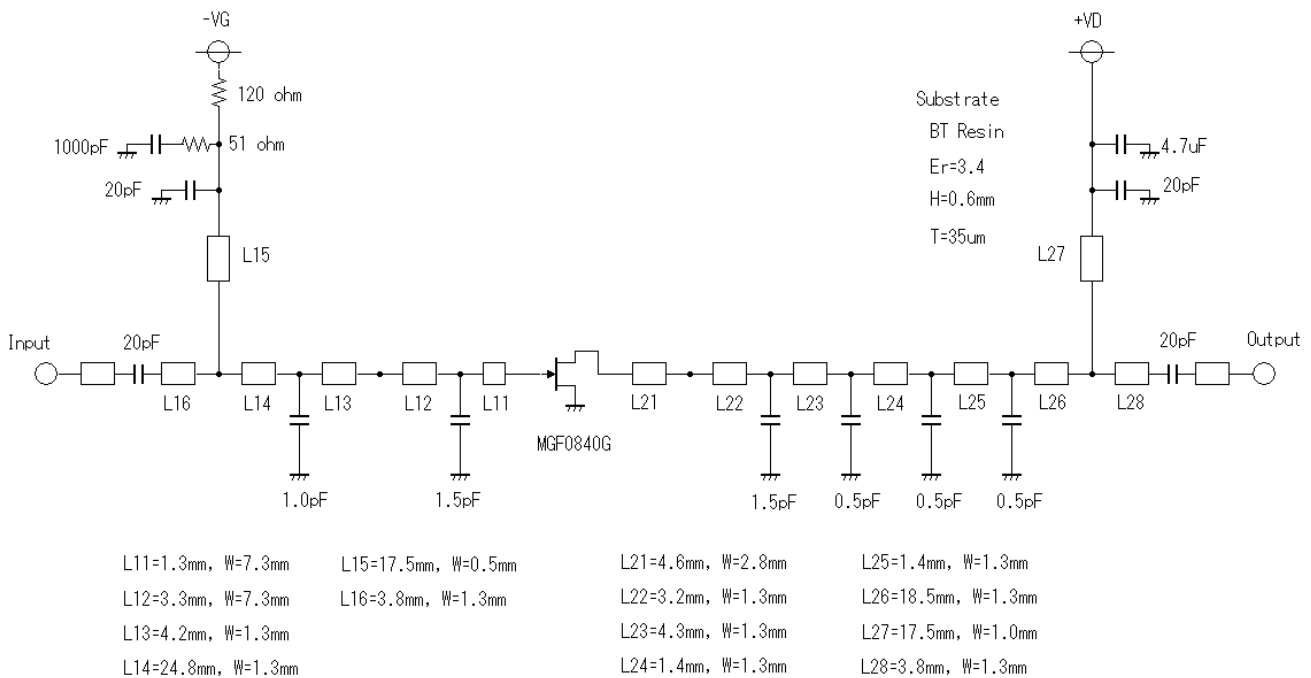
\*2 : Channel to case

Specifications are subject to change without notice.

### Example of Circuit Schematic and Characteristics : f = 2.6 GHz



### Example of circuit



# Preliminary

Mitsubishi Semiconductors &lt; GaN HEMT &gt;

**MGF0840G**

10 W GaN HEMT [ non-matched ]

**S-parameters:**

Condition: VD = 47 V, ID = 90 mA, Ta = 25 deg. C

Freq. (GHz)	S11		S21		S12		S22	
	(mag)	(ang)	(mag)	(ang)	(mag)	(ang)	(mag)	(ang)
0.6	0.884	-114.8	11.163	107.9	0.068	-6.7	0.446	-102.7
1.0	0.803	-144.0	7.081	88.7	0.058	0.3	0.389	-120.9
1.4	0.808	-158.2	5.344	76.2	0.056	4.0	0.356	-129.0
1.8	0.792	-169.5	4.327	66.7	0.065	-1.3	0.379	-130.1
2.2	0.773	-178.2	3.730	56.7	0.059	-10.8	0.389	-137.9
2.6	0.777	172.1	3.184	45.1	0.062	-18.1	0.407	-143.8
3.0	0.730	162.4	2.945	36.9	0.057	-22.6	0.379	-144.0
3.4	0.761	153.0	2.767	26.9	0.064	-22.3	0.374	-148.9
3.8	0.753	141.7	2.505	15.1	0.067	-26.5	0.394	-156.2
4.2	0.777	133.4	2.335	5.9	0.063	-39.3	0.400	-165.8
4.6	0.781	123.8	2.191	-3.2	0.063	-42.4	0.402	-172.7
5.0	0.760	116.5	2.107	-11.7	0.060	-40.3	0.418	-178.9
5.4	0.745	105.0	2.040	-22.2	0.058	-41.0	0.444	175.9
5.8	0.723	93.4	1.985	-33.3	0.060	-41.7	0.476	170.6
6.2	0.719	77.3	1.906	-44.6	0.059	-50.0	0.495	165.8
6.6	0.733	61.2	1.819	-56.3	0.060	-49.6	0.495	161.0
7.0	0.772	44.8	1.713	-68.7	0.056	-53.2	0.478	154.9
7.4	0.801	32.9	1.613	-79.1	0.058	-52.6	0.450	147.0
7.8	0.826	23.4	1.546	-89.0	0.057	-52.6	0.430	137.0
8.2	0.853	13.9	1.513	-99.1	0.061	-48.6	0.420	125.8

## Requests Regarding Safety Designs

Mitsubishi Electric constantly strives to raise the level of its quality and reliability. Despite these concerted efforts, however, there will be occasions when our semiconductor products suffer breakdowns, malfunctions or other problems. In view of this reality, it is requested that every feasible precaution be taken in the pursuit of redundancy design, malfunction prevention design and other safety-related designs, to prevent breakdowns or malfunctions in our products from resulting in accidents involving people, fires, social losses or other problems, thereby upholding the highest levels of safety in the products when in use by customers.

## Matters of Importance when Using these Materials

1. These materials are designed as reference materials to ensure that all customers purchase Mitsubishi Electric semiconductors best suited to their specific use applications. Please be aware, however, that the technical information contained in these materials does not comprise consent for the execution or use of intellectual property rights or other rights owned by Mitsubishi Electric Corporation.
2. Mitsubishi Electric does not assume responsibility for damages resulting from the use of product data, graphs, charts, programs, algorithms or other applied circuit examples described in these materials, or for the infringement of the rights of third-party owners resulting from such use.
3. The data, graphs, charts, programs, algorithms and all other information described in these materials were current at the issue of these materials, with Mitsubishi Electric reserving the right to make any necessary updates or changes in the products or specifications in these materials without prior notice. Before purchasing Mitsubishi Electric semiconductor products, therefore, please obtain the latest available information from Mitsubishi Electric directly or an authorized dealer.
4. Every possible effort has been made to ensure that the information described in these materials is fully accurate. However, Mitsubishi Electric assumes no responsibility for damages resulting from inaccuracies occurring within these materials.
5. When using the product data, technical contents indicated on the graphs, charts, programs or algorithms described in these materials, assessments should not be limited to only the technical contents, programs and algorithm units. Rather, it is requested that ample evaluations be made of each individual system as a whole, with the customer assuming full responsibility for decisions on the propriety of application. Mitsubishi Electric does not accept responsibility for the propriety of application.
6. The products described in these materials, with the exception of special mention concerning use and reliability, have been designed and manufactured with the purpose of use in general electronic machinery. Accordingly these products have not been designed and manufactured with the purpose of application in machinery or systems that will be used under conditions that can affect human life, or in machinery or systems used in social infrastructure that demand a particularly high degree of reliability. When considering the use of the products described in these materials in transportation machinery (automobiles, trains, vessels), for objectives related to medical treatment, aerospace, nuclear power control, submarine repeaters or systems or other specialized applications, please consult with Mitsubishi Electric directly or an authorized dealer.
7. When considering use of products for purposes other than the specific applications described in these materials, please inquire at Mitsubishi Electric or an authorized dealer.
8. The prior consent of Mitsubishi Electric in writing is required for any reprinting or reproduction of these materials.
9. Please direct any inquiries regarding further details of these materials, or any other comments or matters of attention, to Mitsubishi Electric or an authorized dealer.