

L & S BAND GaAs FET [SMD non – matched]**DESCRIPTION**

The MGF0920A GaAs FET with an N-channel schottky Gate, is designed for use UHF band amplifiers.

FEATURES

- High output power
Po=32dBm(TYP.) @f=1.9GHz,Pin=15dBm
- High power gain
Gp=18dB(TYP.) @f=1.9GHz
- High power added efficiency
ηadd=45%(TYP.) @f=1.9GHz,Pin=15dBm
- Hermetic Package

APPLICATION

- For UHF Band power amplifiers

QUALITY

- GG

RECOMMENDED BIAS CONDITIONS

- Vds=10V
- Ids=400mA
- Rg=200Ω

Delivery **-01:**Tape & Reel(1K), **-03:**Trai(50pcs)

Absolute maximum ratings (Ta=25°C)

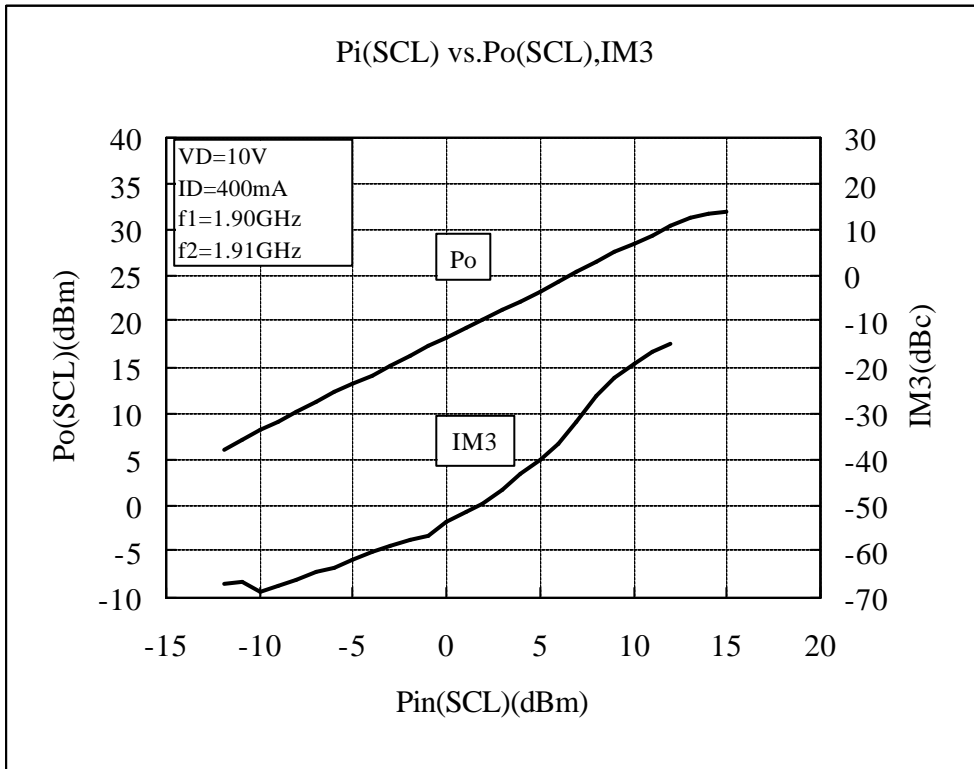
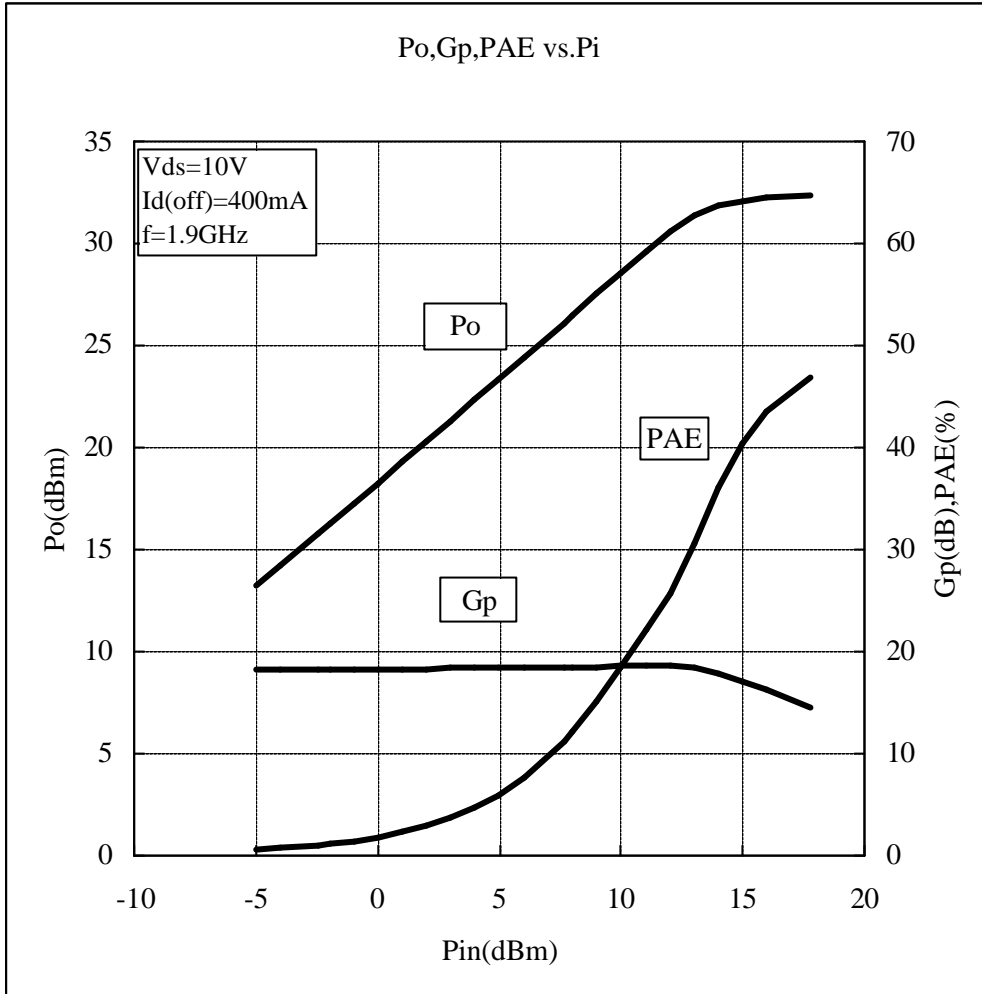
Symbol	Parameter	Ratings	Unit
VGSO	Gate to source breakdown voltage	-15	V
VGDO	Gate to drain breakdown voltage	-15	V
ID	Drain current	1500	mA
IGR	Reverse gate current	-3.6	mA
IGF	Forward gate current	15	mA
PT	Total power dissipation	8.3	W
Tch	Channel temperature	175	°C
Tstg	Storage temperature	-65 to +175	°C

Fig.1**Electrical characteristics** (Ta=25°C)

Symbol	Parameter	Test conditions	Limits			Unit
			Min.	Typ.	Max.	
IDSS	Saturated drain current	VDS=3V, VGS=0V	-	1000	1500	mA
VGS(off)	Gate to source cut-off voltage	VDS=3V, ID=3.0mA	-1.0	-	-5.0	V
gm	Transconductance	VDS=3V, ID=400mA	-	370	-	mS
Po	Output power	VDS=10V, ID=400mA, f=1.9GHz Pin=15dBm	30	32	-	dBm
ηadd	Power added Efficiency		-	35	-	%
GLP	Linear Power Gain	VDS=10V, ID=400mA, f=1.9GHz	16	18	-	dB
Rth(ch-c)	Thermal Resistance *1	ΔVf Method	-	13	18	°C/W

*1: Channel to case / Above parameters, ratings, limits are subject to change.

MGF0920A TYPICAL CHARACTERISTICS



MGF0920A S PARAMETERS (Ta=25°C,VD=10V,ID=400mA, Reference Plane see Fig.1)

freq. (MHz)	S11		S21		S12		S22		K	MAG/MSG (dB)
	(mag)	(ang)	(mag)	(ang)	(mag)	(ang)	(mag)	(ang)		
600	0.930	-96.03	7.784	119.71	0.019	39.54	0.367	-155.36	0.25	26.12
1000	0.912	-124.52	5.692	100.24	0.023	26.68	0.427	-155.22	0.32	23.94
1400	0.903	-140.36	4.233	85.39	0.024	17.80	0.476	-154.99	0.42	22.46
1800	0.899	-149.63	3.242	73.85	0.024	12.03	0.516	-154.82	0.54	21.31
2200	0.899	-155.96	2.584	64.56	0.022	8.64	0.552	-154.81	0.75	20.70
2600	0.900	-161.19	2.156	56.76	0.021	7.04	0.583	-155.02	0.91	20.11
3000	0.901	-165.84	1.879	49.88	0.020	6.70	0.612	-155.50	1.06	18.23
3400	0.901	-169.78	1.696	43.51	0.019	7.24	0.638	-156.24	1.20	16.82
3800	0.900	-172.74	1.565	37.40	0.019	8.31	0.662	-157.24	1.24	16.23
4200	0.897	-174.91	1.462	31.40	0.020	9.66	0.684	-158.46	1.20	15.95
4600	0.893	-177.52	1.370	25.42	0.021	11.07	0.703	-159.84	1.19	15.54
5000	0.887	178.90	1.283	19.44	0.023	12.38	0.718	-161.35	1.15	15.13
5400	0.880	176.64	1.199	13.46	0.025	13.47	0.730	-162.91	1.15	14.48
5800	0.871	172.31	1.121	7.49	0.028	14.22	0.738	-164.48	1.14	13.73
6200	0.861	167.25	1.054	1.52	0.031	14.56	0.742	-166.00	1.18	12.76
6600	0.849	162.24	1.003	-4.44	0.034	14.40	0.744	-167.44	1.24	11.78
7000	0.836	157.65	0.971	-10.45	0.039	13.69	0.743	-168.79	1.20	11.27
7400	0.822	153.50	0.963	-16.57	0.044	12.36	0.739	-170.03	1.16	10.94
7800	0.805	149.52	0.978	-22.92	0.050	10.31	0.734	-171.21	1.10	10.98
8200	0.785	145.30	1.016	-29.63	0.058	7.49	0.728	-172.37	0.99	12.43
8600	0.761	140.29	1.071	-36.87	0.067	3.78	0.720	-173.62	0.90	12.04
9000	0.730	133.94	1.139	-44.85	0.078	-0.92	0.712	-175.10	0.82	11.64
9400	0.690	125.77	1.212	-53.74	0.093	-6.73	0.703	-176.99	0.75	11.15
9800	0.638	115.44	1.282	-63.76	0.110	-13.79	0.690	-179.52	0.74	10.66
10200	0.588	102.87	1.344	-75.07	0.131	-22.25	0.671	176.62	0.73	10.11
10600	0.547	88.25	1.393	-87.81	0.156	-32.28	0.644	172.09	0.72	9.51
11000	0.534	72.23	1.431	-102.03	0.186	-44.04	0.601	167.44	0.70	8.86
11400	0.562	55.90	1.464	-117.69	0.221	-57.73	0.537	162.49	0.66	8.21
11800	0.641	40.93	1.509	-134.63	0.260	-73.53	0.440	158.74	0.61	7.64
12200	0.770	29.66	1.597	-152.53	0.305	-91.61	0.300	165.54	0.58	7.19

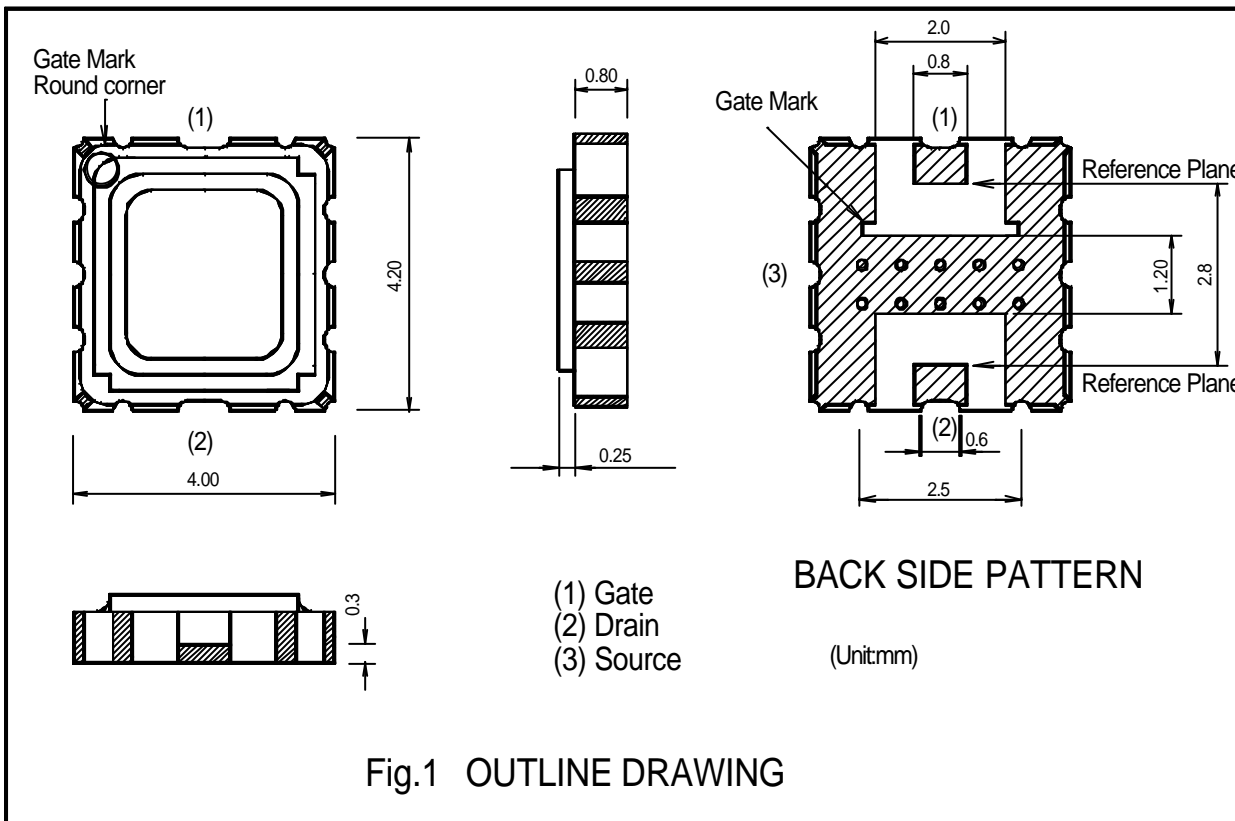


Fig.1 OUTLINE DRAWING

L & S BAND GaAs FET [SMD non – matched]**Requests Regarding Safety Designs**

Mitsubishi Electric constantly strives to raise the level of its quality and reliability. Despite these concerted efforts, however, there will be occasions when our semiconductor products suffer breakdowns, malfunctions or other problems. In view of this reality, it is requested that every feasible precaution be taken in the pursuit of redundancy design, malfunction prevention design and other safety-related designs, to prevent breakdowns or malfunctions in our products from resulting in accidents involving people, fires, social losses or other problems, thereby upholding the highest levels of safety in the products when in use by customers.

Matters of Importance when Using these Materials

1. These materials are designed as reference materials to ensure that all customers purchase Mitsubishi Electric semiconductors best suited to their specific use applications. Please be aware, however, that the technical information contained in these materials does not comprise consent for the execution or use of intellectual property rights or other rights owned by Mitsubishi Electric Corporation.
2. Mitsubishi Electric does not assume responsibility for damages resulting from the use of product data, graphs, charts, programs, algorithms or other applied circuit examples described in these materials, or for the infringement of the rights of third-party owners resulting from such use.
3. The data, graphs, charts, programs, algorithms and all other information described in these materials were current at the issue of these materials, with Mitsubishi Electric reserving the right to make any necessary updates or changes in the products or specifications in these materials without prior notice. Before purchasing Mitsubishi Electric semiconductor products, therefore, please obtain the latest available information from Mitsubishi Electric directly or an authorized dealer.
4. Every possible effort has been made to ensure that the information described in these materials is fully accurate. However, Mitsubishi Electric assumes no responsibility for damages resulting from inaccuracies occurring within these materials.
5. When using the product data, technical contents indicated on the graphs, charts, programs or algorithms described in these materials, assessments should not be limited to only the technical contents, programs and algorithm units. Rather, it is requested that ample evaluations be made of each individual system as a whole, with the customer assuming full responsibility for decisions on the propriety of application. Mitsubishi Electric does not accept responsibility for the propriety of application.
6. The products described in these materials, with the exception of special mention concerning use and reliability, have been designed and manufactured with the purpose of use in general electronic machinery. Accordingly these products have not been designed and manufactured with the purpose of application in machinery or systems that will be used under conditions that can affect human life, or in machinery or systems used in social infrastructure that demand a particularly high degree of reliability. When considering the use of the products described in these materials in transportation machinery (automobiles, trains, vessels), for objectives related to medical treatment, aerospace, nuclear power control, submarine repeaters or systems or other specialized applications, please consult with Mitsubishi Electric directly or an authorized dealer.
7. When considering use of products for purposes other than the specific applications described in these materials, please inquire at Mitsubishi Electric or an authorized dealer.
8. The prior consent of Mitsubishi Electric in writing is required for any reprinting or reproduction of these materials.
9. Please direct any inquiries regarding further details of these materials, or any other comments or matters of attention, to Mitsubishi Electric or an authorized dealer.